



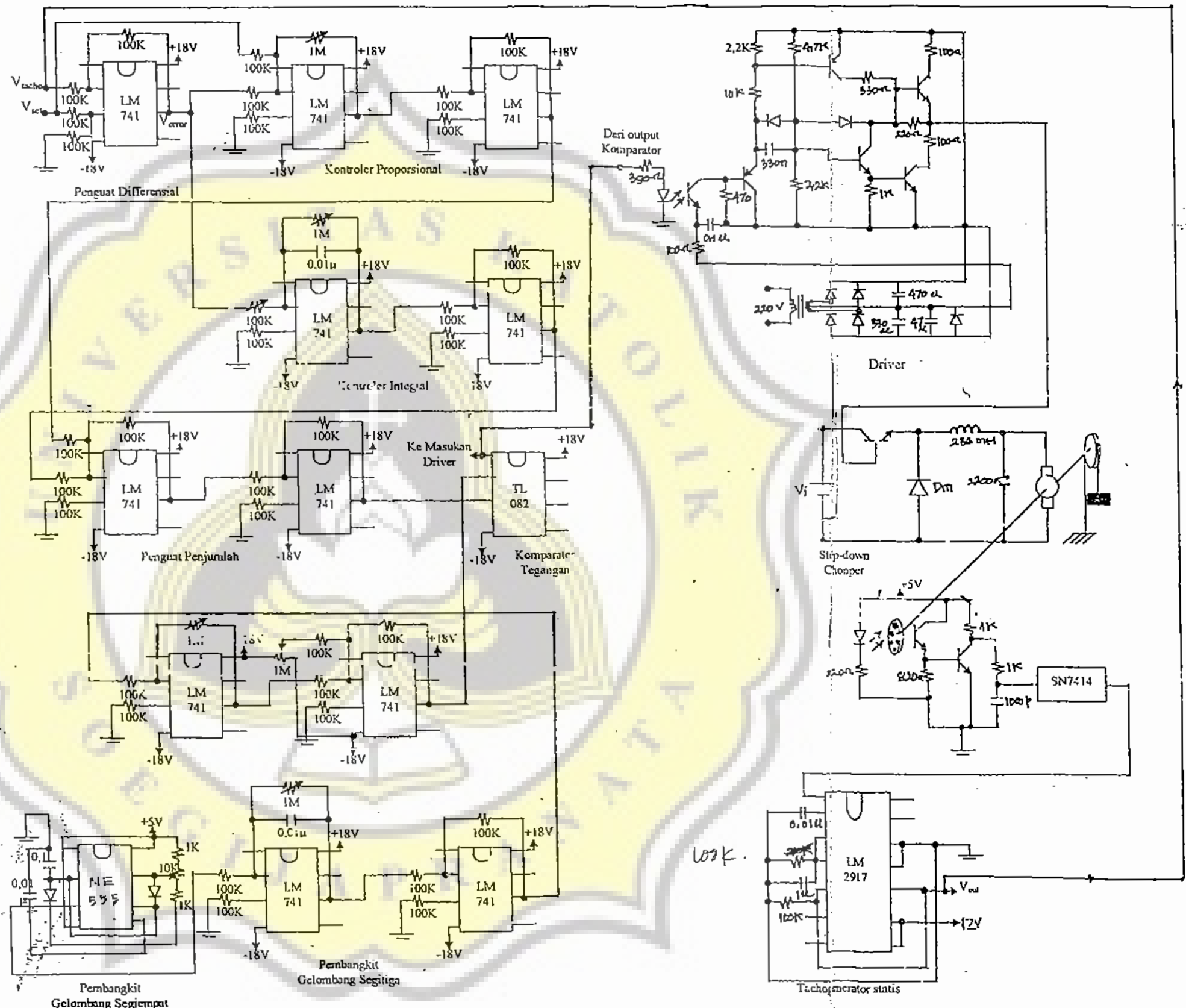
---

---

**UNIVERSITAS KATOLIK SOEGIJAPRANATA**

---

---



$$\frac{1}{2} \cdot \omega^3 \cdot \frac{3500}{60 \cdot 5} = 0,1$$