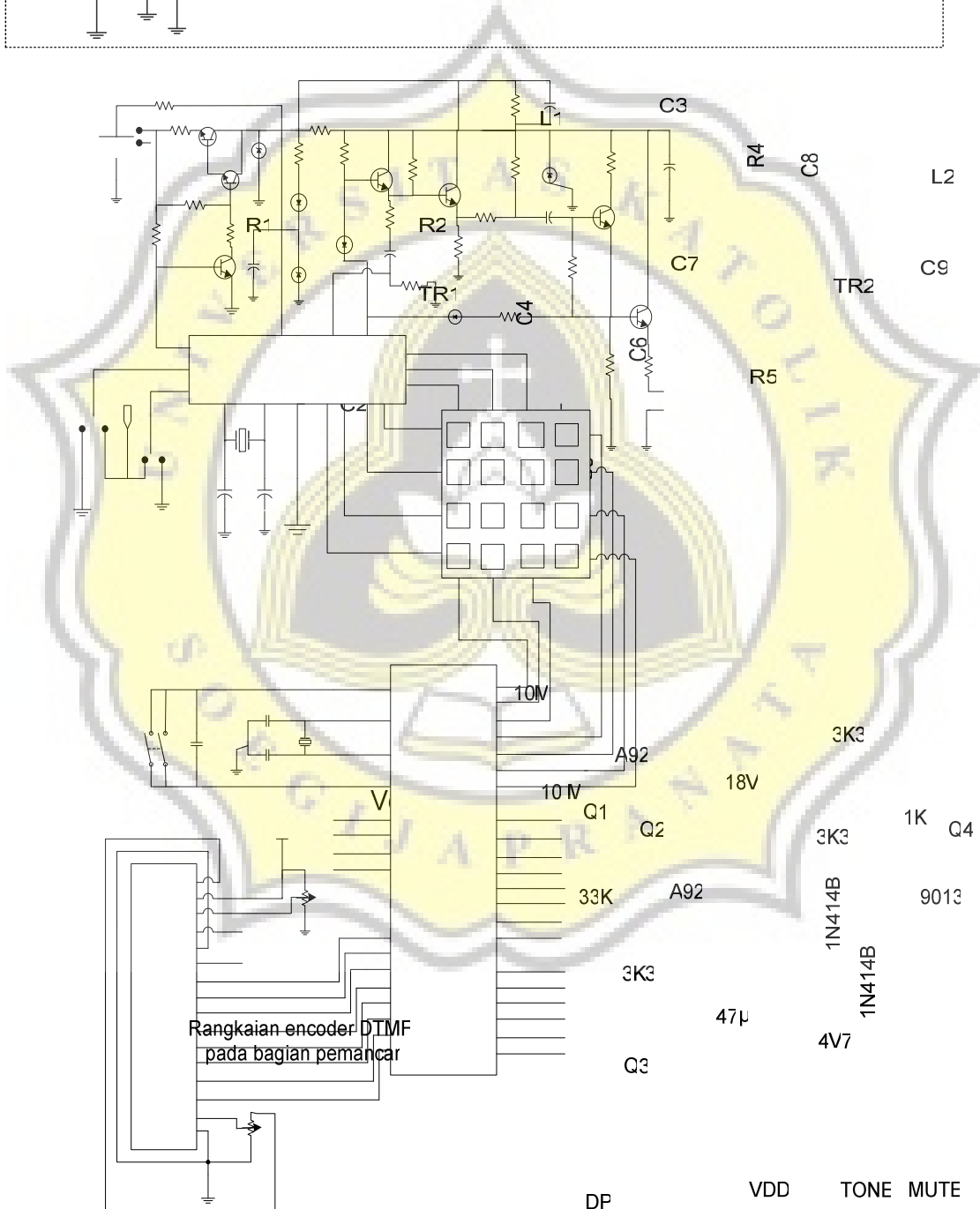
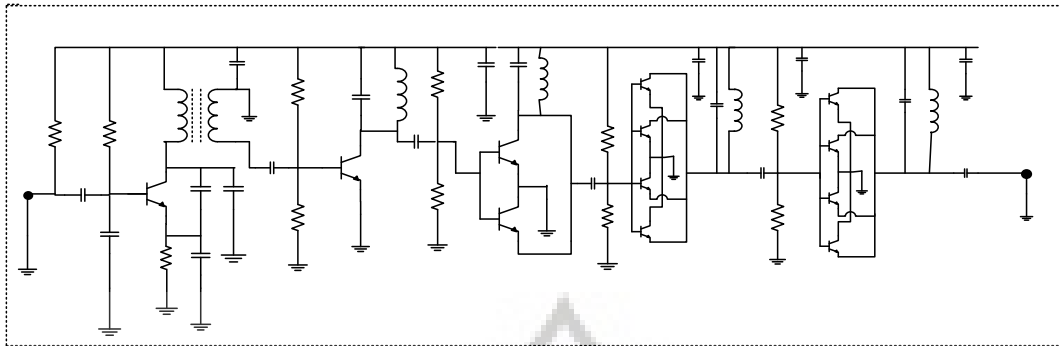


LAMPIRAN



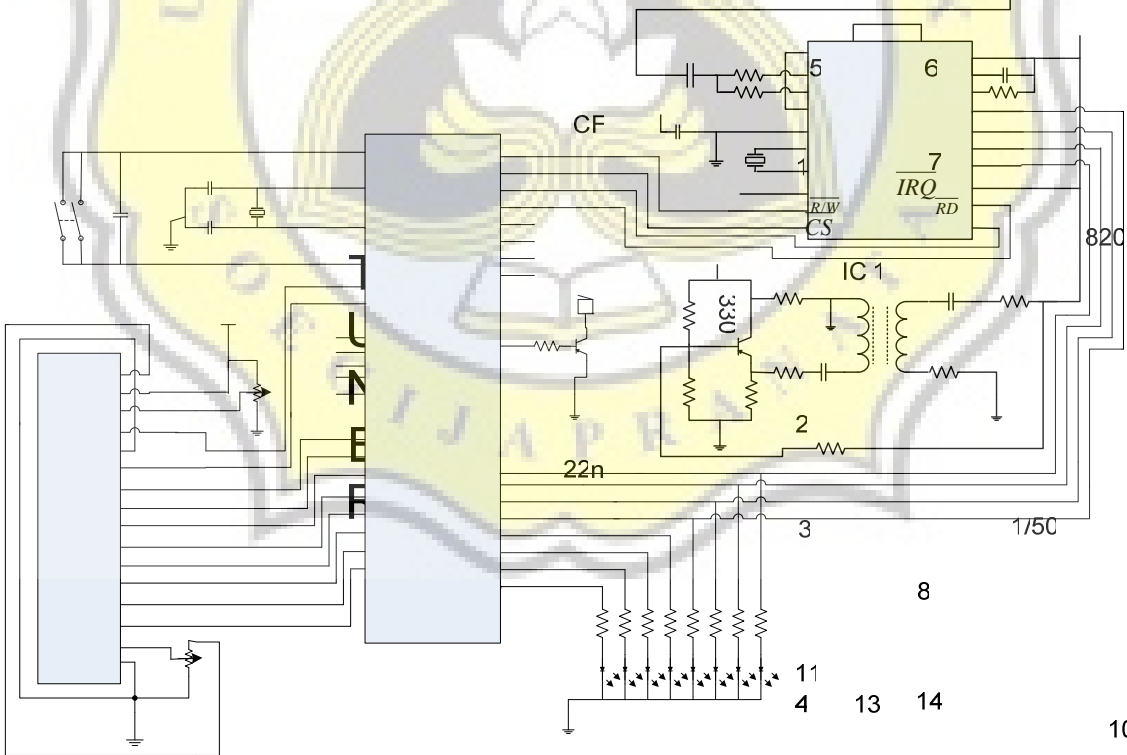
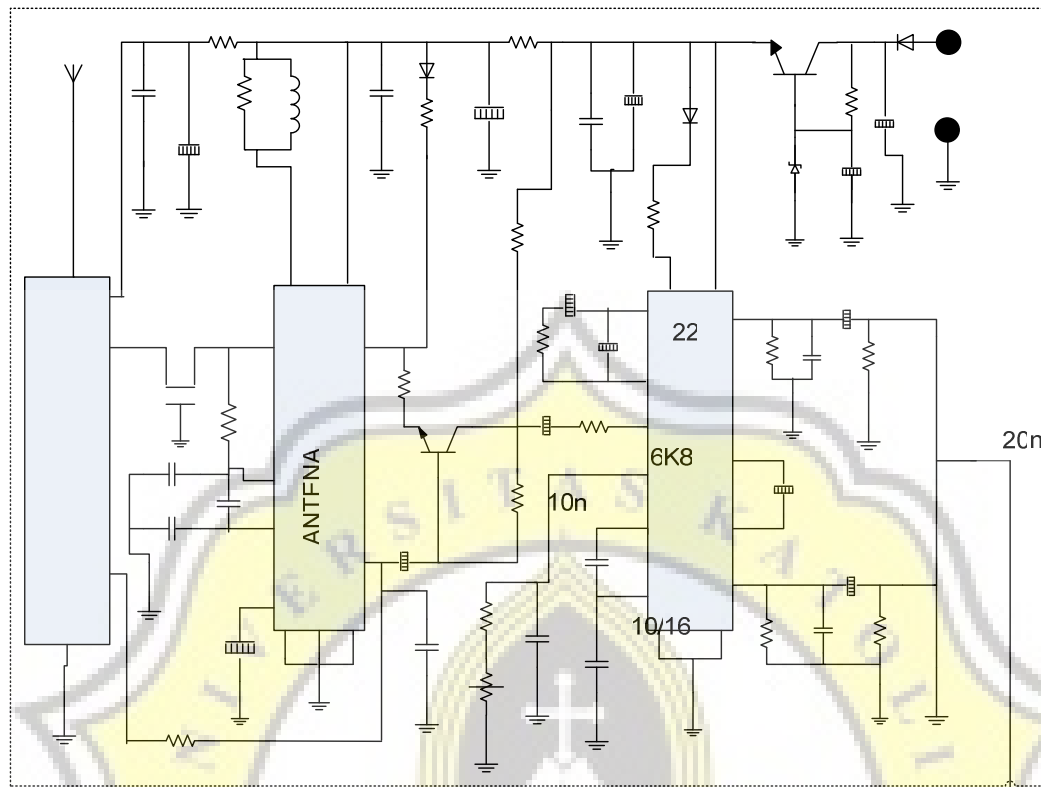
Blok Rangkaian Bagian Pemancar



Rangkaian encoder DTMF pada bagian pemancar

| | | | | |
|-----|----------|------|------|-----|
| DP | VDD | TONE | MUTE | C3 |
| HK | UM91317A | | | C2 |
| | | | | C1 |
| VDD | MOD | OSC1 | OSC2 | VSS |
| HK2 | | | | R4 |
| | | | | R3 |
| | | | | R2 |
| | | | | R1 |
| | | | | X1 |
| | | | | 1 |
| | | | | 2 |
| | | | | 3 |
| | | | | 4 |
| | | | | 5 |

Blok Rangkaian Bagian Penerima



47

D3

100/16

1K

2K2

0.4

1

4.7/2

Q2

1M

6K6

10n

10K

470K