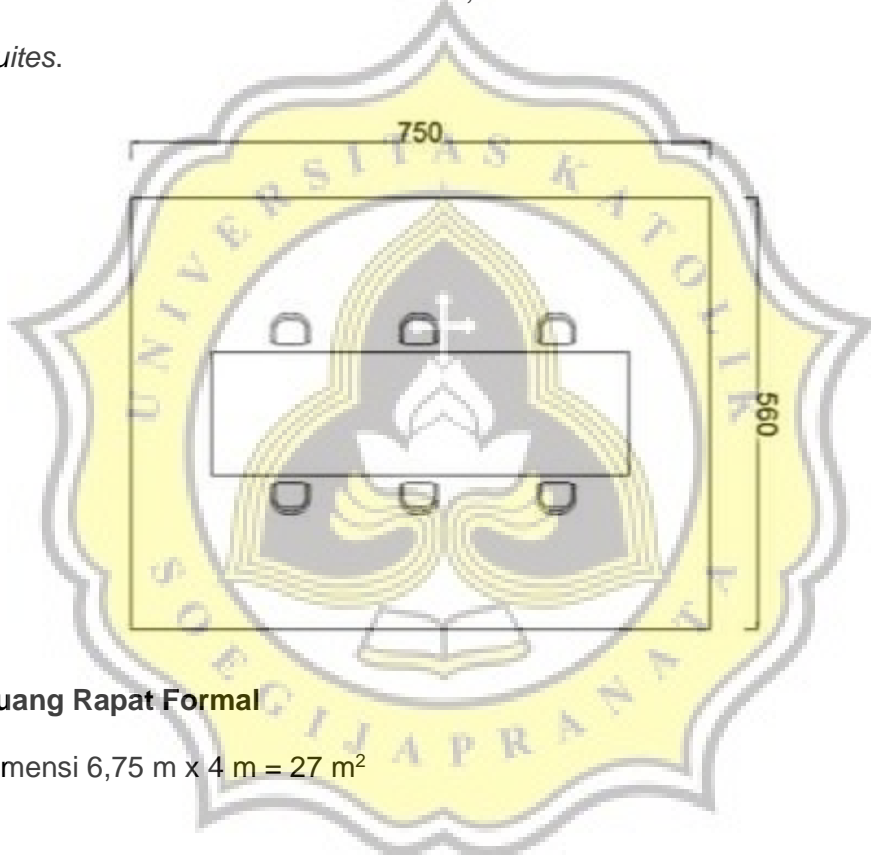


LAMPIRAN

DIMENSI RUANG PERMODUL

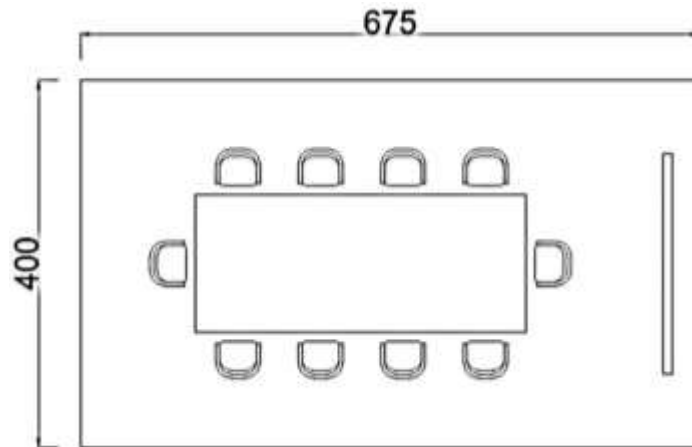
1. Ruang Kerja Kolaborasi

Dimensi area kerja untuk 6 orang $7,5\text{m} \times 5,6\text{m} = 42 \text{ m}^2$. Besaran terbentuk berdasarkan asumsi pribadi menggunakan dimensi psikologis, dan studi literatur dari buku *Criteria for The Planning, Programming, Design and Construction of Business Incubators, Business Centres and Executive Suites*.



2. Ruang Rapat Formal

Dimensi $6,75 \text{ m} \times 4 \text{ m} = 27 \text{ m}^2$



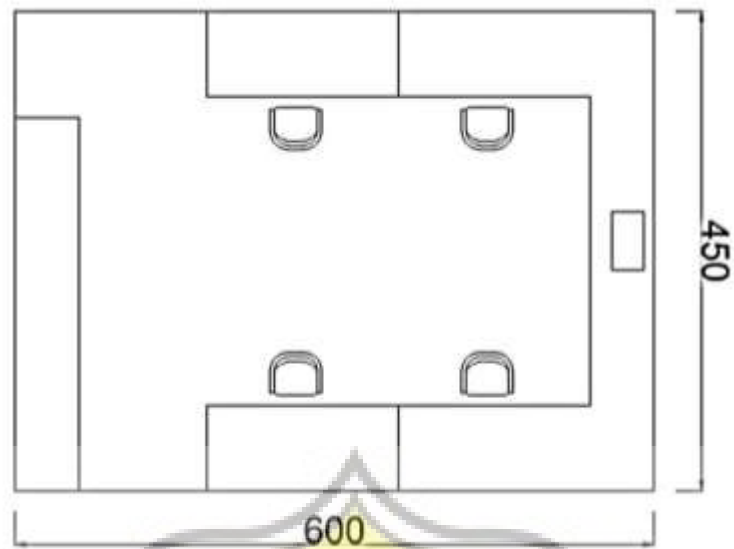
3. Ruang Kerja Privat

Dimensi 3,1 m x 2,3 m = 7,1 m²



4. Privat Office 4 Orang

Dimensi 4,5 x 6 = 27m²



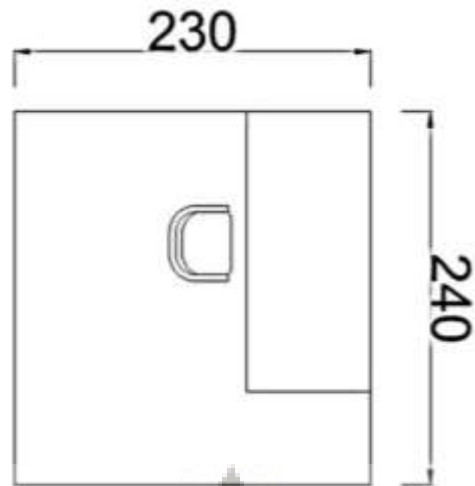
5. Privat Office 6 Orang

Dimensi $8,4 \times 5 = 42 \text{ m}^2$



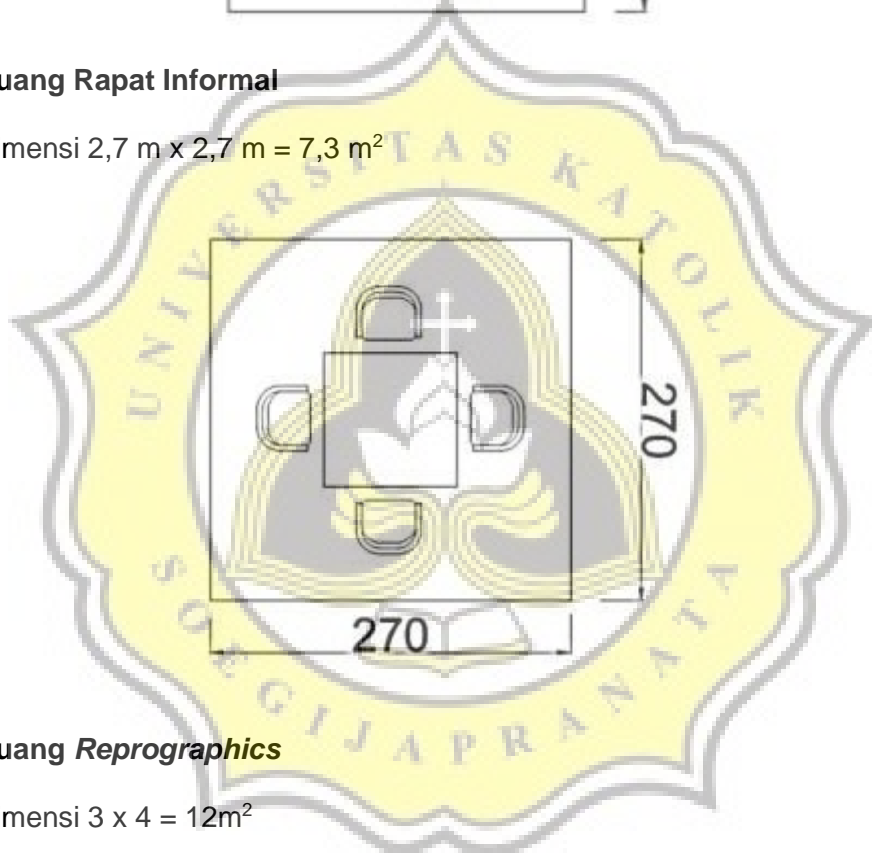
6. Ruang Kerja Balkon

Dimensi $2,3 \text{ m} \times 2,4 \text{ m} = 5,5 \text{ m}^2$



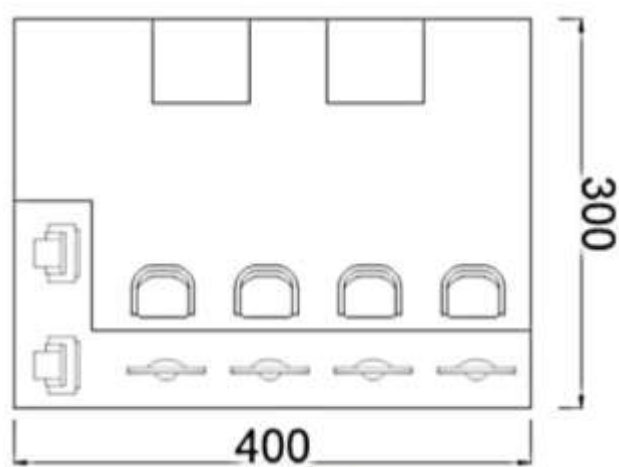
7. Ruang Rapat Informal

Dimensi 2,7 m x 2,7 m = 7,3 m²



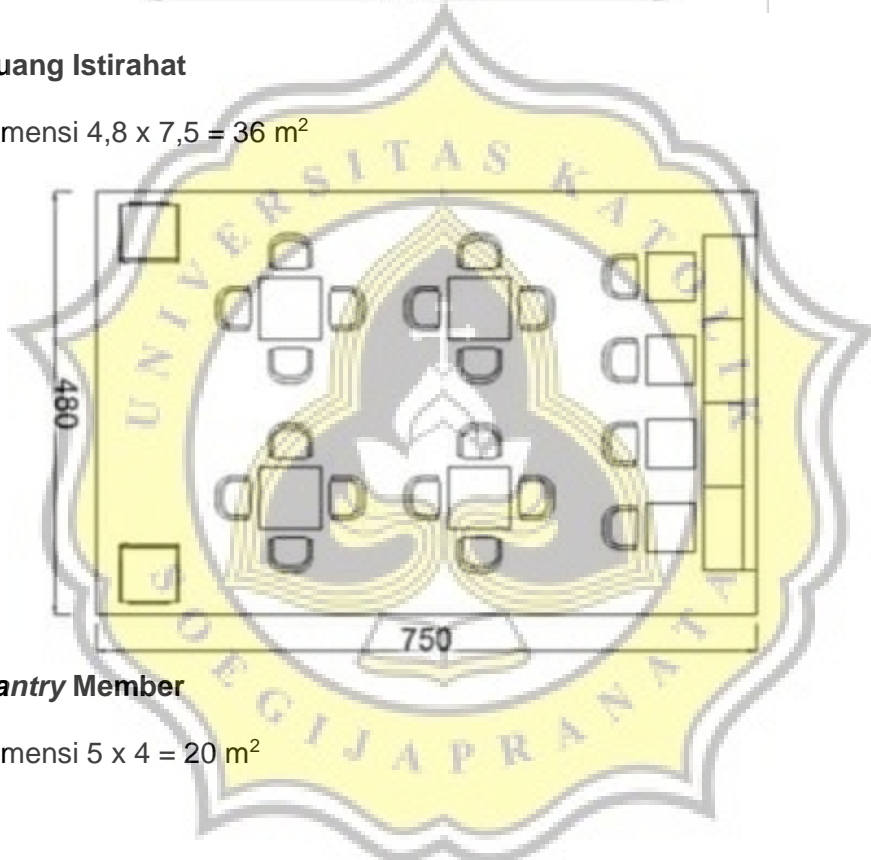
8. Ruang *Reprographics*

Dimensi 3 x 4 = 12m²



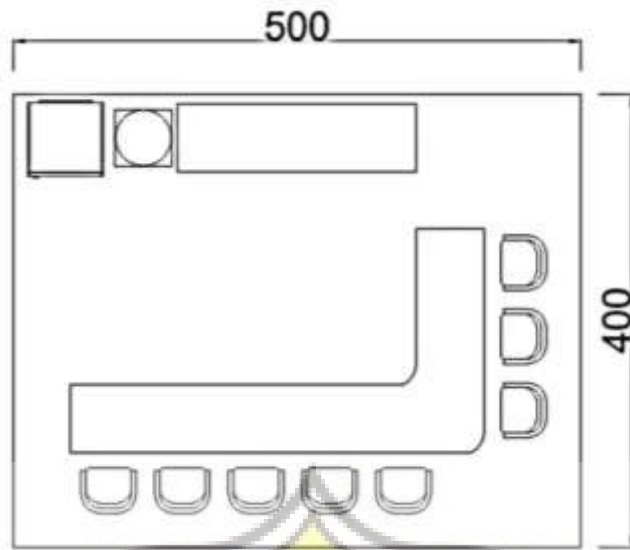
9. Ruang Istirahat

Dimensi 4,8 x 7,5 = 36 m²



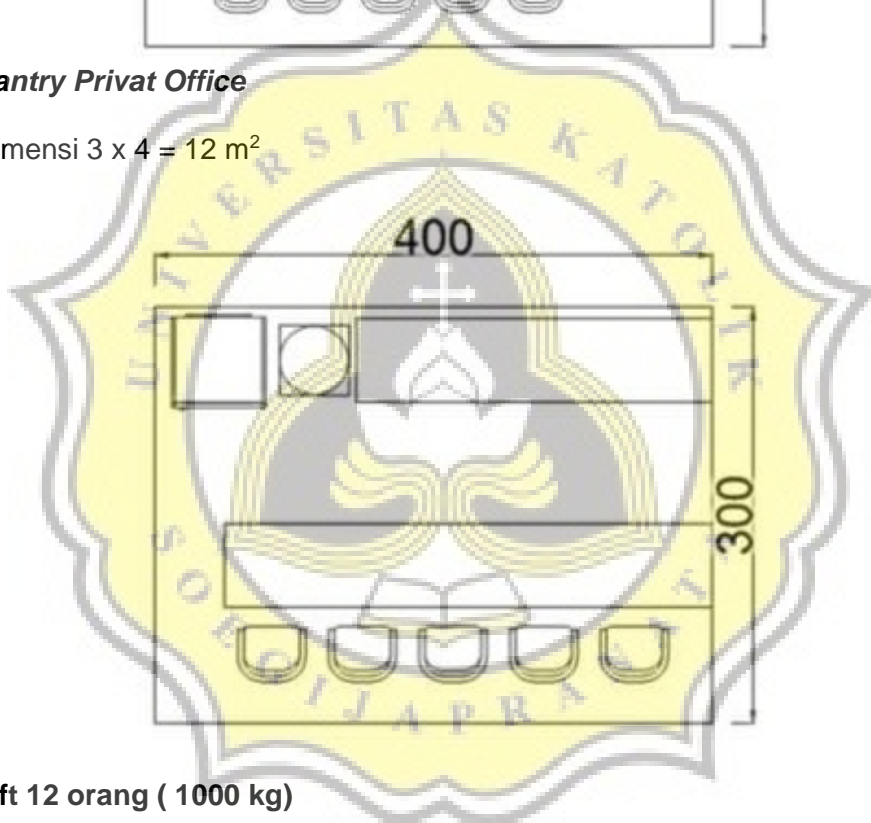
10. Pantry Member

Dimensi 5 x 4 = 20 m²



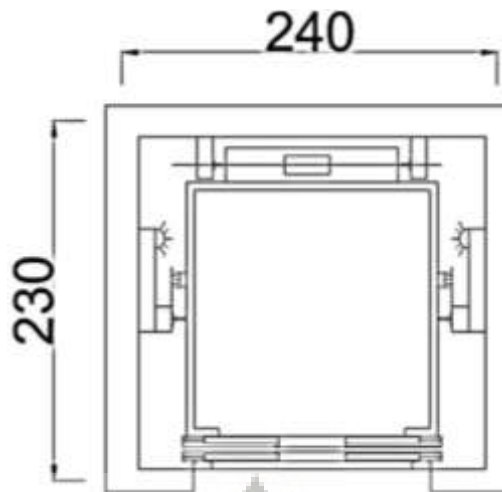
11. Pantry Privat Office

Dimensi 3 x 4 = 12 m²



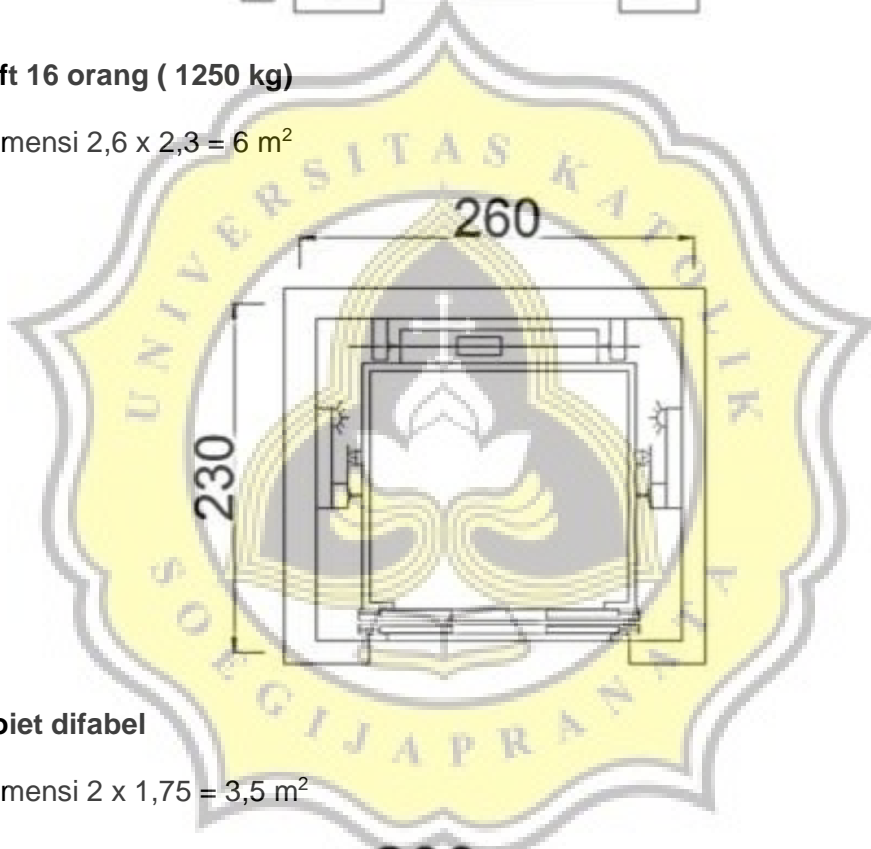
12. Lift 12 orang (1000 kg)

Dimensi 2,4 x 2,3 = 5,5 m²



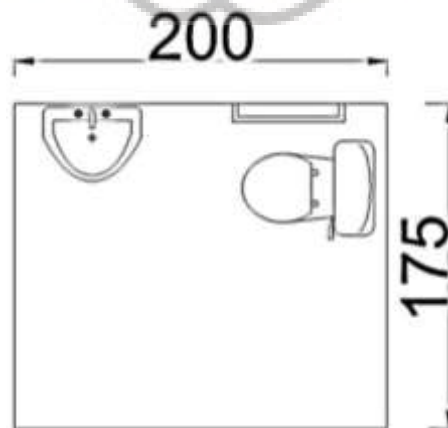
13. Lift 16 orang (1250 kg)

Dimensi 2,6 x 2,3 = 6 m²



14. Toilet difabel

Dimensi 2 x 1,75 = 3,5 m²



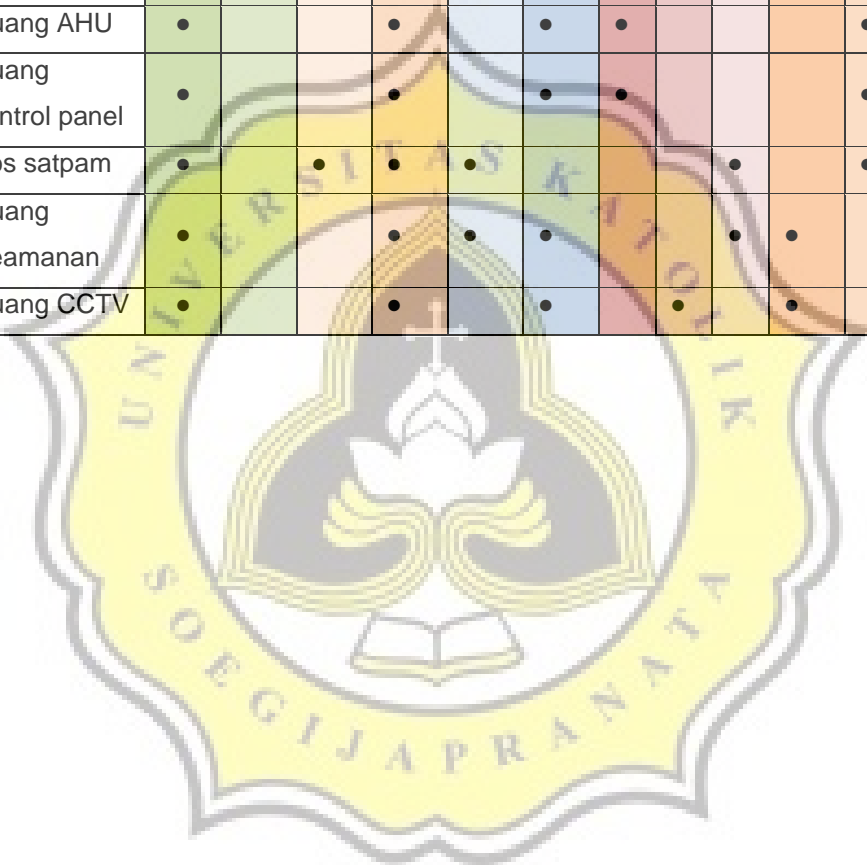
Persyaratan Ruang Pada Co-working Space

Persyaratan Ruang
Sumber : Analisa Pribadi

No	Nama Ruang	Akustik		Pencahaya aan		PENGHAW aan		Keamanan						
		Stabil	Tenang	Alami	Buatan	Alami	Buatan	Kebakaran			Keamanan			
								Tinggi	Sedang	Rendah	Tinggi	Sedang	Rendah	
1	Receptionist	•			•		•		•			•		
2	Lounge	•		•	•		•		•			•		
3	Lobby	•		•	•	•	•		•			•		
4	Loker Member	•			•		•		•			•		
5	Privat Office	•			•		•		•			•		
6	Ruang Kerja Privat		•	•	•		•		•			•		
7	Ruang kerja balkon	•		•	•	•	•		•			•		
8	Ruang kerja Kolaborasi	•			•		•		•			•		
9	Ruang meeting member		•		•		•		•			•		
	ATM	•			•		•		•			•		
10	Event Space	•		•	•	•	•		•			•		
11	Ruang Persiapan Event Space	•			•		•		•			•		
12	Ruang Server Event space	•			•		•		•			•		
13	Reprographic s Area	•			•		•		•			•		
14	Phone Booth		•		•		•		•			•		
15	Pantry	•		•	•		•		•			•		

16	Pantry Privat office	•			•		•		•			•	
17	Cafe	•		•	•	•	•		•			•	
18	Pantry Cafe	•		•	•	•	•		•			•	
19	Dapur Cafe	•		•	•	•	•		•			•	
22	Ruag santai / istirahat	•			•		•			•		•	
23	Ruang Game	•			•		•		•			•	
	Ruang Laktasi	•		•	•		•		•			•	
	Mushola		•	•	•	•	•		•			•	
24	Toilet Member	•			•		•			•		•	
25	Toilet Pengunjung	•			•		•			•		•	
26	Toilet Privat office	•			•		•		•			•	
27	Toilet Pengelola	•			•		•		•			•	
28	Ruang Direktur		•	•	•		•		•			•	
29	Ruang divisi Operasional	•		•	•		•		•			•	
30	Ruang Divisi Komunikasi	•		•	•		•		•			•	
31	Ruag divisi admiistrasi	•		•	•		•		•			•	
32	Ruang divisi food & baverage	•		•	•		•		•			•	
33	Ruang divisi financial	•		•	•		•		•			•	
34	Ruang divisi Event	•		•	•		•		•			•	
35	Ruang meeting pengelola	•		•	•		•		•			•	

36	Ruang cleaning service	•			•		•		•			
37	Janitory	•			•		•		•			
38	Ruang Server	•			•		•		•			
39	Ruang pompa	•			•		•		•			
40	Ruang genset	•			•	•	•		•			
42	Ruang AHU	•			•		•		•			
43	Ruang control panel	•			•		•		•			
44	Pos satpam	•		•	•		•		•			
45	Ruang Keamanan	•			•	•	•		•	•		
46	Ruang CCTV	•			•		•		•			



KUESIONER PADA PENGGUNA COHIVE YOGYAKARTA

1. Saya lebih nyaman bekerja di ruang dengan pemandangan luar ruangan

$$SS = 3, S = 1, N = 2, TS = 0, STS = 0$$

- $SS(5) = 5 \times 3 = 15$

- $S(4) = 4 \times 1 = 4$

- $N(3) = 3 \times 2 = 6$

- Total skor = 25

- $\frac{25}{30} \times 100 = 83,33\%$ (masuk kedalam kategori Setuju)

2. Saya lebih nyaman bekerja diluar ruangan (taman/ ruang luar)

$$SS = 2, S = 0, N = 4, TS = 0, STS = 0$$

- $SS(5) = 5 \times 2 = 10$

- $N(3) = 3 \times 4 = 12$

- Total skor = 22

- $\frac{22}{30} \times 100 = 73,33\%$ (masuk kedalam kategori Setuju)



Submission author:
15a10069 NUR ZAHIRAH

Check ID:
15911889

Check date:
15.01.2020 03:24:02 GMT+0

Check type:
Doc vs Internet + Library

Report date:
16.01.2020 06:20:24 GMT+0

User ID:
25231



File name: **15.A1.0069_Nur Zahirah.docx**

File ID: **20209973** Page count: **32** Word count: **13845** Character count: **92607** File size: **162.50 KB**

1.18% Matches

Highest match: **0.31%** with library source. File ID: **14529190**

0.34% Internet Matches

10

Page 34

0.93% Library matches

120

Page 34

7.76% Quotes

Quotes

40

Page 35

No references found

91.1% Exclusions

Sources less than **8 words** were automatically excluded

No internet exclusions found

91.1% Library exclusions

1

Page 35

Replacement

No replaced characters found