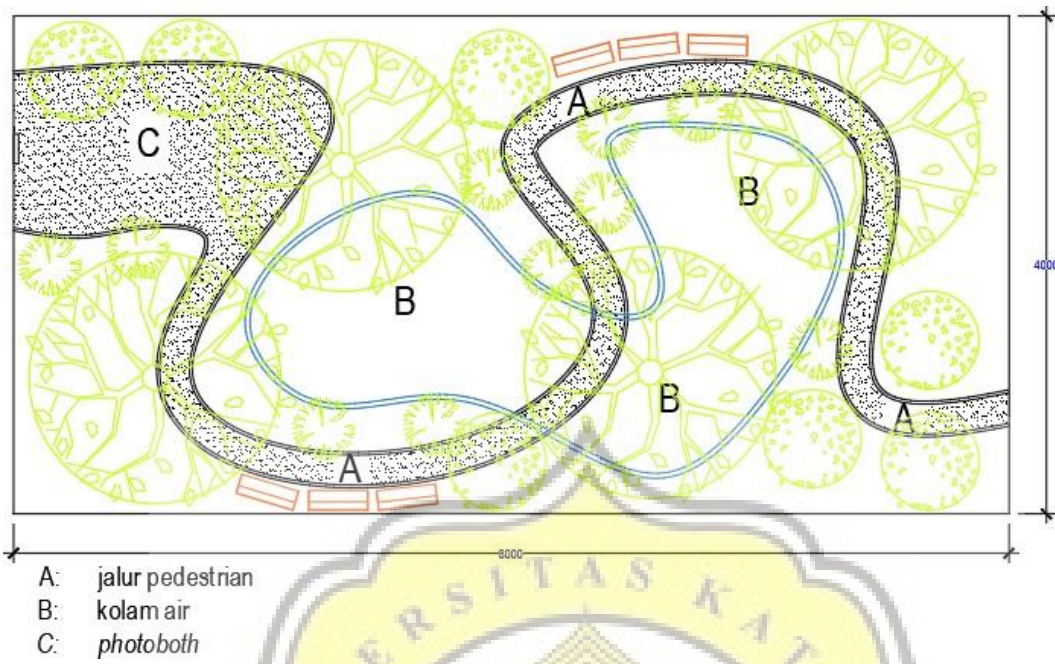
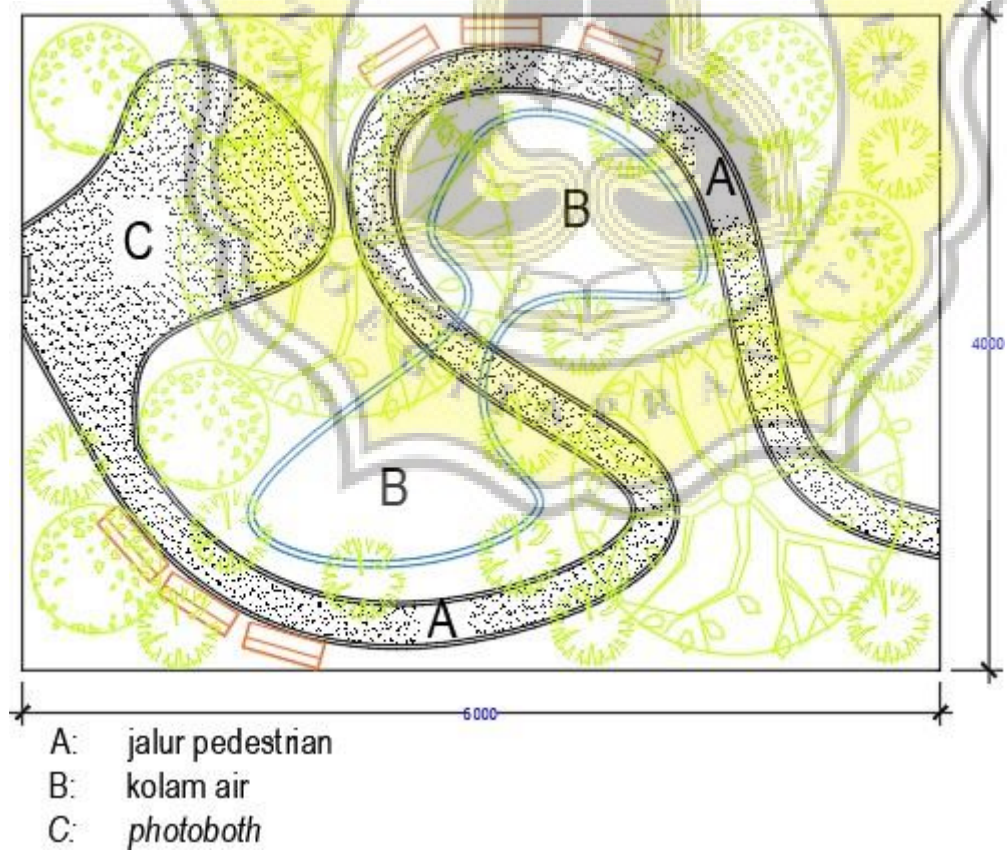


LAMPIRAN

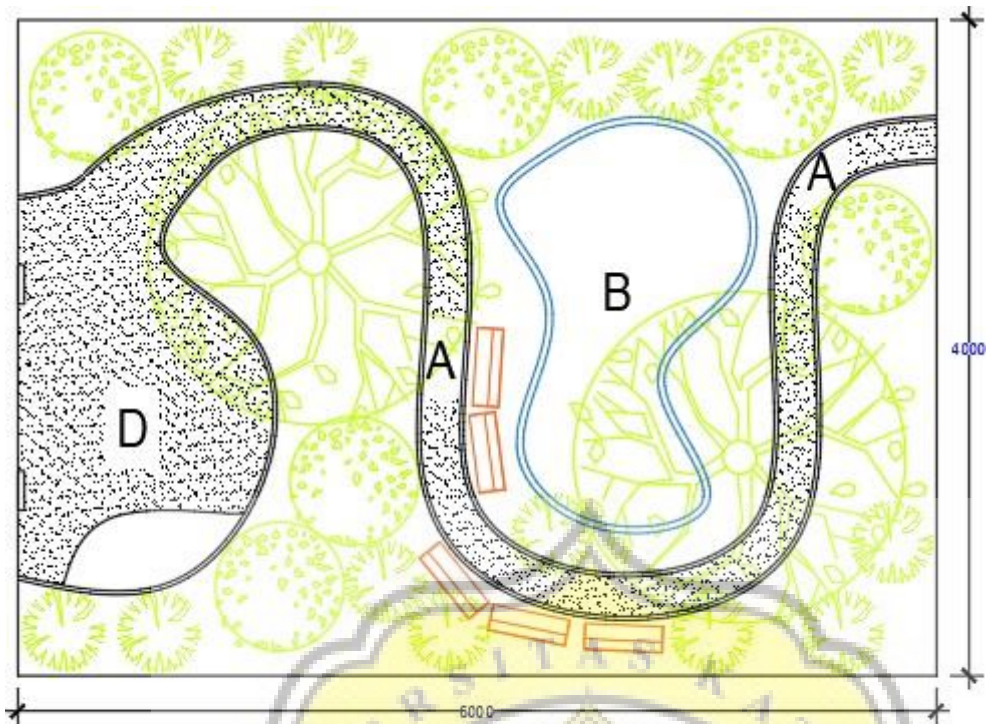
Flamingo Dome



Pigeon Dome

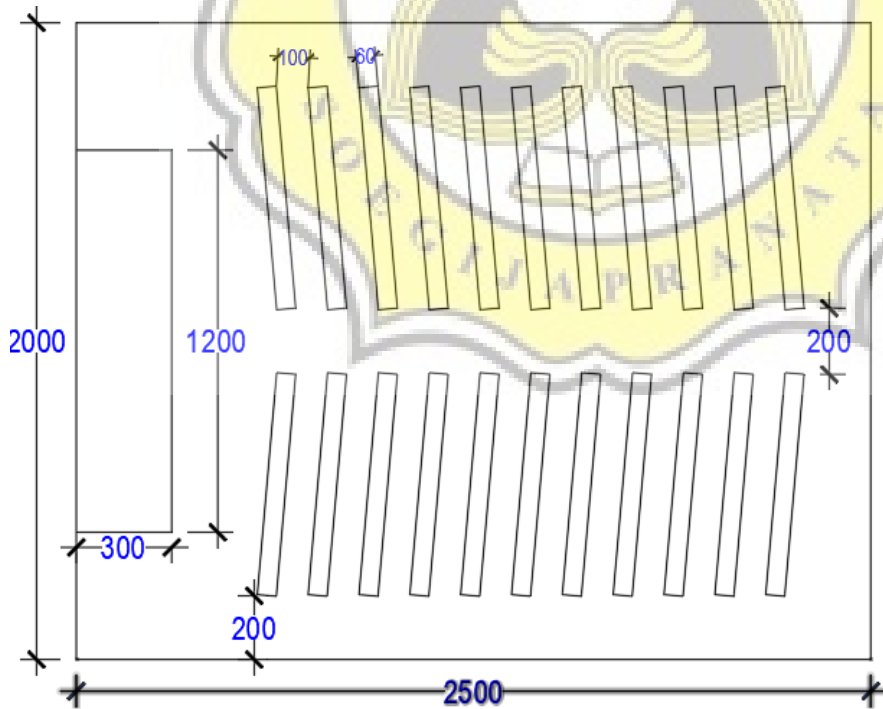


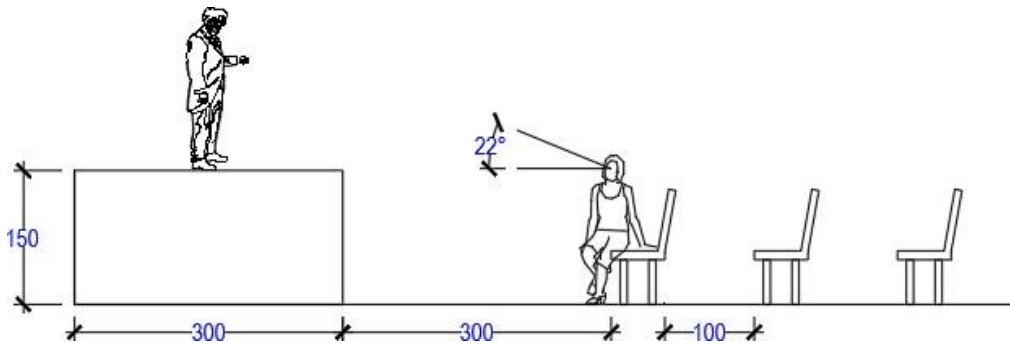
Parrots dome



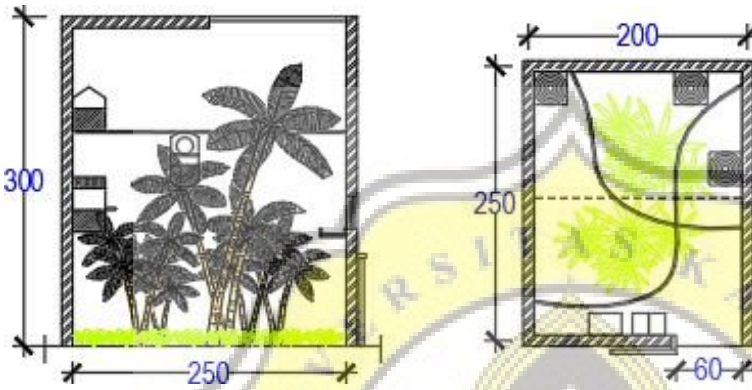
- A: jalur pedestrian
- B: kolam air
- D: bird show

Bird Show

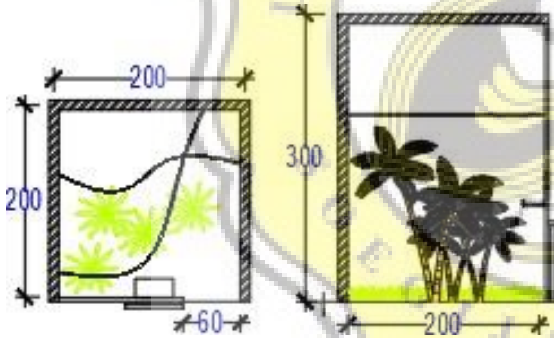




Mating cage



Karantina



Jadwal Operasional

Fasilitas	Kegiatan	Jadwal
Flamingo Dome Pigeon Dome Parrots Dome	Berkeliling dan menikmati keindahan burung	Senin – minggu : 08.00 – 17.00
	Berfoto bersama burung	Senin – minggu : 08.00 – 17.00
	Menikmati atraksi burung	Sabtu – minggu : mulai pukul 09.00 ; 12.00 ; 02.00
Loket	Penjualan tiket	Senin – minggu : 08.00 – 16.00
.Karantina	Mengamati dan meneiliti aktifitas burung	Senin – minggu : 08.00 - 17.00
Laboratorium	Melakukan penelitian pakan dan penyakit pada burung	Senin – jumat : 08.00 - 16.00
Toko souvenir	Penjualan cinderamata	Senin – minggu : 08.00 – 18.00
Resto & café	Penjualan makanan, minuman, dan snack	Senin – minggu : 08.00 – 17.00
Kantor Pengelola	Direksi	Senin – jumat : 08.00 – 16.00
	Karyawan	Senin – minggu : 07.00 – 18.00
	Operator	Senin – minggu : 09.00 – 20.00
Resepsionis	Pelayanan informasi , reservasi	Senin – minggu : 08.00 – 17.00
Security	Pelayanan keamanan dan ketertiban	Senin - minggu
		Shift 1 : 07.00 – 15.00
		Shift 2 : 15.00 – 23.00
		Shift 3 : 23.00 – 07.00



Submission author:
13110165 MUHAMMAD KHARIS KHALIMI

Check ID:
15946698

Check date:
16.01.2020 05:36:23 GMT+0

Check type:
Doc vs Internet + Library

Report date:
16.01.2020 05:49:55 GMT+0

User ID:
25178



File name: LTP_MUHAMMAD KHARIS KHALIMI_13.11.0165.docx

File ID: 20245582 Page count: 29 Word count: 13974 Character count: 103833 File size: 116.89 KB

8.12% Matches

Highest match: 0.64% with library source. File ID: 6553439

2.81% Internet Matches

24

Page 31

6.37% Library matches

136

Page 31

5.15% Quotes

Quotes

26

Page 32

No references found

85.3% Exclusions

Sources less than 8 words were automatically excluded

6.79% Internet exclusions

32

Page 33

82.7% Library exclusions

104

Page 33

Replacement

No replaced characters found